

Kitchen Faucet Cleaning Unit

- Dishwasher
- Faucet



**KARMA means INTENTION
then ACTION.
Everytime you do a good KARMA,
it comes back to you.**

Kitchen Faucet & Cleaning Unit

Dishwasher



DSW01-07A



DSW01-08A



WD-XWJ-2AD

Model	DSW01-07A	DSW01-08A	WD-XWJ-2AD	WD-XWJ-2AD(J)
Description	Dishwasher	Dishwasher	Dishwasher	Dishwasher
Volts	380V/50Hz	380V/50Hz	380V/50Hz	380V/50Hz
Hourly Capacity	500plates(305mm) per hour	1200 glasses/ items per hour	900 plates (12") per hour	640 plates (12") per hour
Wash Cycle Time	Variable, from 1 to 2 1/2 minutes	Variable, from 1 to 2 1/2 minutes	60 seconds, 90 seconds, 120 seconds	90 seconds, 120 seconds
Wash Pump	220L/min, 0.37KW	0.28KW	0.735KW	0.735KW
Wash Tank Capacity(L)	20	12	33	33
Wash Tank Heater(KW)	0.5/1	0.25/0.5	3	3
Wash Temperature	60~65	60~65	60	60
Rinse Tank Capacity(L)	8	8	9	9
Rinse Tank Heater(KW)	2.4/6(380V)	2.4/6(380V)	12	12
Rinse Temperature	82	82	85	85
Hot Water Input(kPa)	200~400	200~400	200~500	200~500
Dimensions (mm)	580x600x860	500x550x850	705x830x1500	705x830x1500
N.W.(KG)	59	45	119	119
Certificate	-	-	CE	-

Dishwasher



DSW01-C180B







SWT02-T740








SWT02-WT1200

Model	DSW01-C180B	SWT02-T740	SWT02-T1200	SWT02-WT1200
Description	Conveyor Dishwasher	Exit Table	Exit Table	Pre-clearing Table(Right)
Washing Capacity	120-240 basket/hour	-	-	-
The Machine Water Consumption	420L/hour	-	-	-
Dimensions (mm)	1304x795x1637	700x740x860	1200x740x860	1200x740x860
N.W.(KG)	38.5	17	15	27
Certificate	-	-	-	-







Commercial Faucet

ITEM NO.	DESCRIPTION	PICTURE
ST160-131	8" WALL MOUNT PRE-RINSE W/ 10"ADD ON FAUCET	
ST160-132	8" WALL MOUNT PRE-RINSE W/ 12" ADD ON FAUCE	
ST160-133	8" WALL MOUNT PRE-RINSE W/O ADD ON FAUCET	
ST160-134	8" WALL MOUNT PRE-RINSE UNIT	
ST160-135	8" DECK MOUNT PRE-RINSE UNIT	
ST160-136	4" DECK MOUNT PRE-RINSE UNIT	







Commercial Faucet

ST160-137	4" DECK MOUNT PRE-RINSE UNIT	
ST160-138	SINGLE DECK MOUNT PRE-RINSE UNIT	
ST160-139	SINGLE WALL MOUNT PRE-RINSE UNIT	
ST160-140	BASE DECK MOUNT PRE-RINSE UNIT	
ST160-141	BASE WALL MOUNT PRE-RINSE UNIT	






Commercial Faucet

ST160-142	8" HEAVY DUTY WALL MOUNT POT FILLER HOOK SPRAY	
ST160-143	8" HEAVY DUTY DECK MOUNT POT FILLER HOOK SPRAY	
ST160-144	4" HEAVY DUTY DECK MOUNT POT FILLER HOOK SPRAY	
ST160-145	4" HEAVY DUTY DOUBLE PANTRY POT FILLER HOOK SPRAY	
ST160-146	SINGLE PANTRY DECK MOUNT POT FILLER HOOK SPRAY	
ST160-147	SINGLE WALL MOUNT POT FILLER HOOK SPRAY	

Commercial Faucet

ST160-148	DECK MOUNT BASE POT FILLER HOOK SPRAY	
ST160-149	WALL MOUNT BASE HOOK SPRAY	
ST160-150	8" HEAVY DUTY WALL MOUNT PRE-RINSE SPRAY	
ST160-151	8" HEAVY DUTY WALL MOUNT PRE-RINSE SPRAY	
ST160-152	4" HEAVY DUTY DECK MOUNT PRE-RINSE SPRAY	
ST160-153	4" HEAVY DUTY DOUBLE PANTRY PRE-RINSE SPRAY	



Commercial Faucet

ST160-154	SINGLE PAN TRY DECK MOUNT SPRAY	
ST160-155	SINGLE WALL MOUNT PRE-RINSE SPRAY	
ST160-156	DECK MOUNT BASE PRE-RINSE SPRAY	
ST160-157	WALL MOUNT BASE PRE-RINSE SPRAY	
ST160-158A	8" HEAVY DUTY HIGHT FLOW W ALL MOUNT FAUCET W/ 6" SPOUT	
ST160-158B	W/ 8" SPOUT	
ST160-158C	W/ 10" SPOUT	
ST160-158D	W/ 12" SPOUT	
ST160-158E	W/ 14" SPOUT	
ST160-158F	W/ 16" SPOUT	
ST160-159A	8" HEAVY DUTY WALL MOUNT FAUCET W/ 6" SPOUT	
ST160-159B	W/ 8" SPOUT	
ST160-159C	W/ 10" SPOUT	
ST160-159D	W/ 12" SPOUT	
ST160-159E	W/ 14" SPOUT	
ST160-159F	W/ 16" SPOUT	






Commercial Faucet

ST160-160A	8" HEAVY DUTY DECK MOUNT FAUCET W/ 6" SPOUT	
ST160-160B	W/ 8" SPOUT	
ST160-160C	W/ 10" SPOUT	
ST160-160D	W/ 12" SPOUT	
ST160-160E	W/ 14" SPOUT	
ST160-160F	W/16" SPOUT	
ST160-161A	4" HEAVY DUTY DECK MOUNT FAUCET W/ 6" SPOUT	
ST160-161B	W/ 8" SPOUT	
ST160-161C	W/10" SPOUT	
ST160-161D	W/ 12" SPOUT	
ST160-161E	W/ 14" SPOUT	
ST160-161F	W/ 16" SPOUT	
ST160-162A	8" HEAVY DUTY DECK MOUNT FAUCET W/ 6" SPOUT	
ST160-162B	W/ 8" SPOUT	
ST160-162C	W/10" SPOUT	
ST160-162D	W/ 12" SPOUT	
ST160-162E	W/ 14" SPOUT	
ST160-162F	W/ 16" SPOUT	
ST160-163A	4" HEAVY DUTY DECK MOUNT FAUCET W/ 6" SPOUT	
ST160-163B	W/ 8" SPOUT	
ST160-163C	W/10" SPOUT	
ST160-163D	W/ 12" SPOUT	
ST160-163E	W/ 14" SPOUT	
ST160-163F	W/ 16" SPOUT	
ST160-164A	4" HEAVY DUTY BACKSPLASH FAUCET W/ 3.5" GOOSENECK SPOUT	
ST160-164B	W/ 6"GOOSENECK SPOUT	
ST160-164C	W/ 8-1/2" GOOSENECK SPOUT	






Commercial Faucet

ST160-167A	4" HEAVY DUTY DOUBLE PANTRY FA UCET W/ 6" SPOUT	
ST160-167B	W/ 8" SPOUT	
ST160-167C	W/10" SPOUT	
ST160-167D	W/ 12" SPOUT	
ST160-167E	W/ 14" SPOUT	
ST160-167F	W/ 16" SPOUT	
ST160-168A	SINGLE DECK MO UNT PANTRY FAUCET W/6" SPOUT	
ST160-168B	W/ 8" SPOUT	
ST160-168C	W/10" SPOUT	
ST160-168D	W/ 12" SPOUT	
ST160-168E	W/ 14" SPOUT	
ST160-168F	W/ 16" SPOUT	
ST160-169A	CHINESE RANGE FAUCET W/ 6" SPOUT	
ST160-169B	W/ 8" SPOUT	
ST160-169C	W/10" SPOUT	
ST160-169D	W/ 12" SPOUT	
ST160-169E	W/ 14" SPOUT	
ST160-169F	W/ 16" SPOUT	
ST160-170A	CHINESE RANGE FAUCET W/ 6" SPOUT	
ST160-170B	W/ 8" SPOUT	
ST160-170C	W/ 10" SPOUT	
ST160-170D	W/ 12" SPOUT	
ST160-170E	W/ 14" SPOUT	
ST160-170F	W/ 16" SPOUT	






Commercial Faucet

ST160-171A	AUTOMATIC WOK RANGE FAUCET W/ 12" SPOUT	
ST160-171B	AUTOMATIC WOK RANGE FAUCET W/ 14" SPOUT	
ST160-171C	AUTOMATIC WOK RANGE FAUCET W/ 17" SPOUT WITH HEAVY DUTY FLANGE	
ST160-174A	WALL MOUNT BASE W/ 6" SWIVEL SPOUT	
ST160-174B	W/ 8" SPOUT	
ST160-174C	W/ 10" SPOUT	
ST160-174D	W/ 12" SPOUT	
ST160-174E	W/ 14" SPOUT	
ST160-174F	W/ 16" SPOUT	
ST160-175A	HIGH FLOW ADD ON FAUCET W/ 6" SPOUT	
ST160-175B	W/ 8" SPOUT	
ST160-175C	W/ 10" SPOUT	
ST160-175D	W/ 12" SPOUT	
ST160-175E	W/ 14" SPOUT	
ST160-175F	W/ 16" SPOUT	
ST160-176A	ADD ON FAUCET W/ 6" SPOUT	
ST160-176B	W/ 8" SPOUT	
ST160-176C	W/ 10" SPOUT	
ST160-176D	W/ 12" SPOUT	
ST160-176E	W/ 14" SPOUT	
ST160-176F	W/ 16" SPOUT	
ST160-177A	DECK MOUNT BASE W/ 6" SWIVEL SPOUT	
ST160-177B	W/ 8" SPOUT	
ST160-177C	W/ 10" SPOUT	
ST160-177D	W/ 12" SPOUT	
ST160-177E	W/ 14" SPOUT	
ST160-177F	W/ 16" SPOUT	
ST160-178A	8" HEAVY DUTY WALL MOUNT FAUCET W/ 3-1/2" GOOSENECK SPOUT	
ST160-178B	W/ 6" GOOSENECK SPOUT	
ST160-178C	W/ 8-1/2" GOOSENECK SPOUT	

Commercial Faucet

ST160-179A	8" HEAVY DUTY DECK MOUNT FAUCET W/ 3-1/2" GOOSENECK SPOUT	
ST160-179B	W/ 6"GOOSENECK SPOUT	
ST160-179C	W/ 8-1/2" GOOSENECK SPOUT	
ST160-180A	4" HEAVY DUTY DECK MOUNT FAUCET W/ 3-1/2" GOOSENECK SPOUT	
ST160-180B	W/ 6"GOOSENECK SPOUT	
ST160-180C	W/ 8-1/2" GOOSENECK SPOUT	
ST160-181A	4" HEAVY DUTY DOUBLE PANTRY FA UCET W/ 3-1/2" GOOSENECK SPOUT	
ST160-181B	W/ 6" GOOSENECK SPOUT	
ST160-181C	W/ 8-1/2" GOOSENECK SPOUT	
ST160-182A	SINGLE DECK MO UNT PANTRY FAUCET W/ 3-1/2" GOOSENECK SPOUT	
ST160-182B	W/ 6"GOOSENECK SPOUT	
ST160-182C	W/ 8-1/2" GOOSENECK SPOUT	
ST160-183A	8" HEAVY DUTY DECK MOUNT FAUCET W/ ELEVATED SPOUT 6" SPOUT LENGTH	
ST160-183B	8" SPOUT LENGTH	
ST160-183C	10" SPOUT LENGTH	
ST160-183D	12" SPOUT LENGTH	
ST160-183E	14" SPOUT LENGTH	
ST160-183F	16" SPOUT LENGTH	

Commercial Faucet

ST160-184A	4" HEAVY DUTY DECK MOUNT FAUCET W/ ELEVATED SPOUT 6" SPOUT LENGTH	
ST160-184B	8" SPOUT LENGTH	
ST160-184C	10" SPOUT LENGTH	
ST160-184D	12" SPOUT LENGTH	
ST160-184E	14" SPOUT LENGTH	
ST160-184F	16" SPOUT LENGTH	
ST160-185A	4" HEAVY DUTY DOUBLE PANTRY W/ELEVATED SPOUT 6" SPOUT LENGTH	
ST160-185B	8" SPOUT LENGTH	
ST160-185C	10" SPOUT LENGTH	
ST160-185D	12" SPOUT LENGTH	
ST160-185E	14" SPOUT LENGTH	
ST160-185F	16" SPOUT LENGTH	
ST160-186A	SINGLE DECK MOUNT PANTRY FAUCET W/ ELEVATED SPOUT 6" SPOUT LENGTH	
ST160-186B	8" SPOUT LENGTH	
ST160-186C	10" SPOUT LENGTH	
ST160-186D	12" SPOUT LENGTH	
ST160-186E	14" SPOUT LENGTH	
ST160-186F	16" SPOUT LENGTH	
ST160-187A	DECK MOUNT BASE W/ 3-1/2" GOOSENECK SPOUT	
ST160-187B	W/ 6"GOOSENECK SPOUT	
ST160-187C	W/ 8-1/2" GOOSENECK SPOUT	
ST160-188A	SINGLE WALL MOUNT PANTRY FAUCET W/ 3-1/2" GOOSENECK SPOUT	
ST160-188B	W/ 6"GOOSENECK SPOUT	
ST160-188C	W/ 8-1/2" GOOSENECK SPOUT	
ST160-189A	SINGLE WALL MOUNT PANTRY FAUCET W/ 3-1/2" GOOSENECK SPOUT	
ST160-189B	W/ 6"GOOSENECK SPOUT	
ST160-189C	W/ 8-1/2" GOOSENECK SPOUT	

Commercial Faucet

ST160-190A	WALL MOUNT BASE W/ 3-1/2" SPOUT	
ST160-190B	W/ 6"GOOSENECK SPOUT	
ST160-190C	W/ 8-1/2" GOOSENECK SPOUT	
ST160-191	WALL MOUNT BASE W/ 3-1/2" SPOUT	
ST160-192	RIGID GOOSENECK SPOUT	
ST160-193	DIPPERWELL FAUCET	
ST160-194A	8" WALL MOUNT FAUCET W/ 6" SPOUT	
ST160-194B	W/ 8" SPOUT	
ST160-194C	W/10" SPOUT	
ST160-194D	W/ 12" SPOUT	
ST160-194E	W/ 14" SPOUT	
ST160-194F	W/ 16" SPOUT	





Commercial Faucet

ST160-195A	8" DECK MOUNT FAUCET W/ 6" SPOUT	
ST160-195B	W/ 8" SPOUT	
ST160-195C	W/10" SPOUT	
ST160-195D	W/ 12" SPOUT	
ST160-195E	W/ 14" SPOUT	
ST160-195F	W/ 16" SPOUT	
ST160-196	4" DECK MOUNT LAVATORY FAUCET	
ST160-197A	4" DECK MOUNT FAUCET W/ 6" SPOUT	
ST160-197B	W/ 8" SPOUT	
ST160-197C	W/10" SPOUT	
ST160-197D	W/ 12" SPOUT	
ST160-197E	W/ 14" SPOUT	
ST160-197F	W/ 16" SPOUT	
ST160-198A	4" BACKSPLASH WALL MOUNT FAUCET W/ 6" SPOUT	
ST160-198B	W/ 8" SPOUT	
ST160-198C	W/10" SPOUT	
ST160-198D	W/ 12" SPOUT	
ST160-198E	W/ 14" SPOUT	
ST160-198F	W/ 16" SPOUT	
ST160-199A	8" WALL MOUNT FAUCET W/ 3-1/2" GOOSENECK SPOUT	
ST160-199B	W/ 6"GOOSENECK SPOUT	
ST160-199C	W/ 8-1/2" GOOSENECK SPOUT	





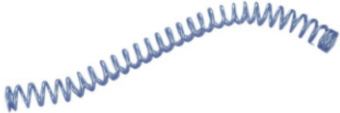



Commercial Faucet

ST160-200A	8" DECK MOUNT FAUCET W/ 3-1/2" GOOSENECK SPOUT	
ST160-200B	W/ 6"GOOSENECK SPOUT	
ST160-200C	W/ 8-1/2" GOOSENECK SPOUT	
ST160-201	4" DECK MOUNT FAUCET W/ GOOSENECK SPOUT	
ST160-202	4" DECK MOUNT FAUCET W/ GOOSENECK SPOUT W/ LEVER HANDLE	
ST160-203	4" DECK MOUNT FAUCET W/ GOOSENECK SPOUT W/ WRIST HANDLE	
ST160-204	4" BACKSPLASH WALL MOUNT FAUCET W/ 6" SPOUT	

Commercial Faucet

ST160-205	4" BACKSPLASH WALL MOUNT FAUCET W/ 6" SPOUT	
ST160-206A	12" DOUBLE JOINT SPOUT	
ST160-206B	15" DOUBLE JOINT SPOUT	
ST160-206C	18" DOUBLE JOINT SPOUT	
ST160-206D	24" DOUBLE JOINT SPOUT	
ST160-207A	3-1/2" GOOSENECK SPOUT	
ST160-207B	6" GOOSENECK SPOUT	
ST160-207C	8-1/2" GOOSENECK SPOUT	
ST160-208A	6" STRAIGHT SPOUT	
ST160-208B	8" STRAIGHT SPOUT	
ST160-208C	10" STRAIGHT SPOUT	
ST160-208D	12" STRAIGHT SPOUT	
ST160-208E	14" STRAIGHT SPOUT	
ST160-208F	16" STRAIGHT SPOUT	
ST160-208G	18" STRAIGHT SPOUT	
ST160-209A	HIGH FLOW 6" STRAIGHT SPOUT	
ST160-209B	HIGH FLOW 8" STRAIGHT SPOUT	
ST160-209C	HIGH FLOW 10" STRAIGHT SPOUT	
ST160-209D	HIGH FLOW 12" STRAIGHT SPOUT	
ST160-209E	HIGH FLOW 14" STRAIGHT SPOUT	
ST160-209F	HIGH FLOW 16" STRAIGHT SPOUT	


Commercial Faucet

ST160-210	SWIRL INLET FITTING	
ST160-211	TROUGH INLET FITTING W/ AERATOR	
ST160-212	PRE-RINSE SPRAY VALVE	
ST160-213	ANGLED SPRAY VALVE	
ST160-214	REPLACEMENT SPRING IRON	
ST160-215	REPLACEMENT SPRING STAINLESS STEEL	
ST160-216	44" HOSE ASSEMBLY	
ST160-217	60" HOSEASSEMBLY	
ST160-218	72" HOSEASSEMBLY	
ST160-219	SPOUT EXTENSION	
ST160-220	WALL BRACKET	

Commercial Faucet

ST160-221	VACUUM BREAKER	
ST160-222	GLASS FILLER 10" HEIGHT	
ST160-223	GLASS FILLER 15" HEIGHT	
ST160-224	TWIST HANDLE WASTE OUTLET	
ST160-224A	LEVER HANDLE WASTE OUTLET	
ST160-225	TWIST HANDLE WASTE W/ OVERFLOW OUTLET	
ST160-225A	LEVER HANDLE WASTE W/ OVERFLOW OUTLET	





Commercial Faucet

ST160-226	TWIST HANDLE (#1)	
ST160-227	LEVER HANDLE (#2)	
ST160-228	(#3)	
ST160-229	Galvanized Iron Filter (#4)	
ST160-230	Galvanized Iron Ring/ Paper Washer/Rubber Washer (#5)	
ST160-231	Plastic Snap-On Shower Drain	
ST160-232	BRASS SINK DRAIN 1-1/2" LENGTH	
ST160-233	BRASS SINK DRAIN 3-1/4" LENGTH	
ST160-234	FOOT OPERATED VALVE	
ST160-235	KNEE OPERATED VALVE	
ST160-236	KNEE OPERATED VALVE	
ST160-237	FOOT OPERATED VALVE	

Commercial Faucet

ST160-238	FOOT OPERATED VALVE	
ST160-239	KNEE OPERATED VALVE	
ST160-242	REPAIR KITS Completed Bolt Set	
ST160-243	MOUNTING KITS	
ST160-244	UNIVERSAL BUTTON VALVE ASSEMBLY	
ST160-245	SUPPLY INLETS	






Commercial Faucet

ST160-246	WRIST HANDLE (PAIR)	
ST160-247	LEVER HANDLE (PAIR)	
ST160-248	METAL HANDLE (PAIR)	
ST160-249	CROSS HANDLE (PAIR)	
ST160-250	BONNET	
ST160-251	UNION-NUT FAUCET SHANK	
ST160-252	UNION-NUT FAUCET SHANK	
ST160-253	PRE-RINSE SPRAY VALVE REPAIR KIT	
ST160-254	SPOUT ADAPTER	

Commercial Faucet

ST160-255	SPOUT ADAPTER	
ST160-256	SPOUT ADAPTER	
ST160-257	SPOUT ADAPTER	
ST160-258	BRASS OVERFLOW TUBE, 1-1/2" SINK OPENING, 10" LENGTH	
ST160-259	BRASS OVERFLOW TUBE, 1" SINK OPENING, 9" LENGTH	
ST160-166	SERVICE SINK FAUCET	

Commercial Faucet

ST160-172	SERVICE SINK FAUCET	
ST160-173	SERVICE SINK FAUCET	
ST160-260	SERVICE SINK FAUCET	
ST160-261	SERVICE SINK FAUCET	
ST160-262	SERVICE SINK FAUCET	

Automatic Faucets



ST160-100



ST160-101



ST160-101A



ST160-102



ST160-102A



ST160-103



ST160-104



ST160-105



ST160-106



ST160-107



ST160-108



ST160-109

Automatic Faucets



ST160-110



ST160-111



ST160-112



ST160-110A



ST160-111A



ST160-112A



ST160-113

Automatic Mixer Faucets



ST160-114



ST160-115



ST160-115A



ST160-116



ST160-117

Automatic / Manual Faucets



ST160-118



ST160-119



ST160-119A



ST160-120



ST160-120A



ST160-121



ST160-122



ST160-122A

Manual/Automatic Mixer Faucet

ST160-123



The First Single-Handle Manual/Automatic Mixer Faucet
Surpassing the Impossible, Not Bounded by Tradition
Individual Separate Water Piping, Innovative Unique Valve
Flexible and Agile. No More Dead Angles
Specifically Designed for YOU. Because You Requested it.

Manual/Automatic Mixer Faucet

Features:

- Sensible

Operated by one handle only like most conventional single-handle faucets. Less confusion, more user-friendly.



Manual/Automatic Mixer Faucet

- Pull-down spray
- No more dead angles. Access to any angles.



Manual/Automatic Mixer Faucet

- Concealed design.

Compatible with all kitchen sinks.

- Touch-free Operation

- i>More Hygienic. No more spreading of germs through physical contact.

- ii>Wave once to open. Wave again to close.

- Green and Eco-Friendly

- Water automatically shuts down after one minute. (Auto-mode)

- Optional AC/DC adaptor. You'll no longer have to worry about replacing the batteries.



- Optional Hydro-Generator No wiring or outlet required.

Automatically charges the batteries every time water is opened.



Manual/Automatic Mixer Faucet

Specifications:

- Body: Chrome Plated Solid Brass
- Power: i>DC AA Alkaline Battery x 4
 - ii>AC Adapter
 - iii>Hydro-Generator
- Operating Water Pressure: 0.2~15 kg/cm²
- Water Inlet Pipe Size: NPSM 1/2 or 1/4
- Ambient Working Temperature: 2~90°C
- Sensing Range: 2~20 cm (factory default 14cm)
- Sensing Range Setup: Digital
- Response Time: 0.3 sec
- Close Water Delay Time: 1 sec

Manual/Automatic Mixer Faucet

Introduction

Our automatic faucets are renowned for their quality, stability, and reliability.



1. Quality: Flawless finish, Best materials, Defect rate under 2%, robust fabrication

2. Stability: After many years of usage, we have received no complaints regarding the performance of our electronic faucets. Whether it's indoors or outdoors, whether it's fresh batteries or used batteries, our faucets have not shown any erratic performance.

3. Reliability: After many years of usage, besides from changing the batteries, if the finish is properly maintained, our faucets will perform and look like new.

Although automatic faucets are our main products, we also provide the following services or products.

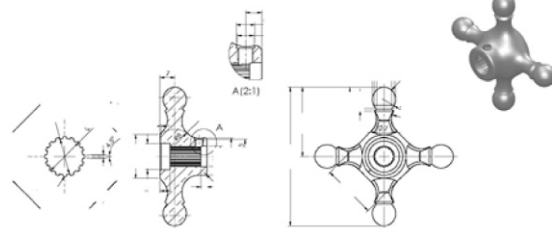
1. Conventional Faucets



2. IR touch-free technology implementation



3. Kitchen & Bathroom brass products OEM / ODM / OBM

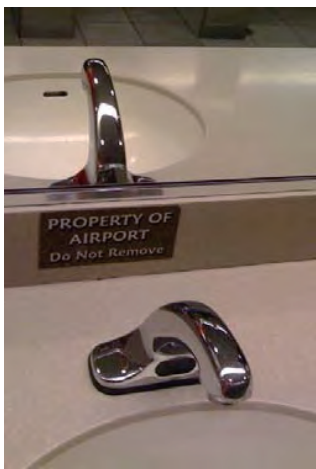
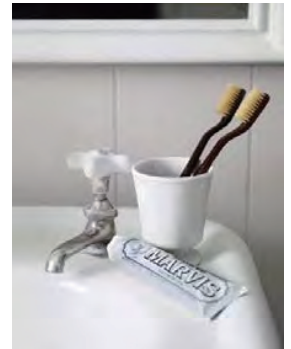


Automatic Faucets Electronic Faucets Sensor Faucets



From Conventional to Today's Automatic Faucets

People use a faucet at least 10 times a day, and most of the faucets used are in public areas. Unfortunately, the potential risk of contracting pathogens through a faucet in public areas is extremely high and after HFMD (Hand, foot and mouth disease), SARS, bird flu, etc. people became more and more concerned about public faucets' hygienic issues.



Touch free automatic faucets quickly became popular for commercial purposes in airports, restaurants, and hotels. This was mainly because automatic faucets have the advantage of being more hygienic because the user doesn't have to touch the faucet to operate it and also because sensor faucets can save water because they automatically close whenever the user is done with it. Ever since, automatic faucets have become extremely popular in commercial implementations.



Pathogens are transmitted (to and fro) every time a person touches the faucet.

Think about it...

When was the last time you washed the faucet?

Who was the last person to use the faucet?

When you think about it... YUCK!



Most people leave the water running when applying soap.

70% of the water used to wash your hands is wasted when applying soap.

Automatic Mixer Faucet

ST160-116



The ST160-116 is an Automatic Mixer Faucet that is deck mounted and most suitable for places where the user would prefer to adjust the water temperature to their liking.

The ST160-116 is most suitable for: hotel lavatory, hospital lavatory, restaurant lavatory

Automatic Mixer Faucet

Features:



Battery life expectancy:

Guaranteed: 500,000 cycles. (Tested over 1,000,000 cycles)



Low battery LED indicator



Hot and cold mixing.



All-In-One design. No Control box. All maintenance performed over the sink.

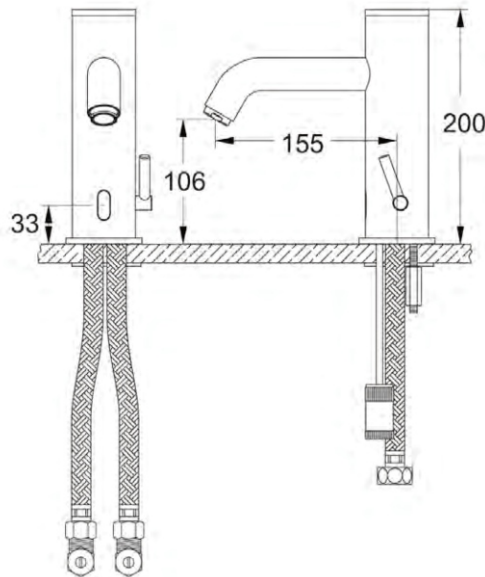


Optional AC/DC adaptor. You'll no longer have to worry about replacing the batteries.



Optional Hydro-Generator. No wiring or power outlet required.
Automatically charges the batteries every time water is opened.

Automatic Mixer Faucet ST160-116



Specifications:

- Body: Chrome Plated Solid Brass (Other finishes available)
- Power:
 - i> DC AA Alkaline Battery x 4
 - ii> AC Adapter
 - iii> Hydro-generator
- Operating Water Pressure: 0.2~15 kg/cm²
- Water Inlet Pipe Size: NPSM 1/2 or 1/4
- Ambient Working Temperature: 2~90°C
- Sensing Range: 2~17 cm (factory default 14cm)
- Response Time: 0.3 sec
- Close Water Delay Time: 1 sec

Automatic Faucet

ST160-106



The ST160-106 is an Automatic Faucet that is deck mounted and most suitable for conventional basins or counters to dispense drinking water. The ST160-106 is most suitable for: kitchen counter, bar counter, RO systems, drinking water dispersing systems, transportation vehicles

Automatic Faucet

Features:



Battery life expectancy:

Guaranteed: 500,000 cycles. (Tested over 1,000,000 cycles)



Low battery LED indicator



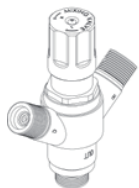
Optional AC/DC adaptor. You'll no longer have to worry about replacing the batteries.



Optional Hydro-Generator. No wiring or power outlet required. Automatically charges the batteries every time water is opened.



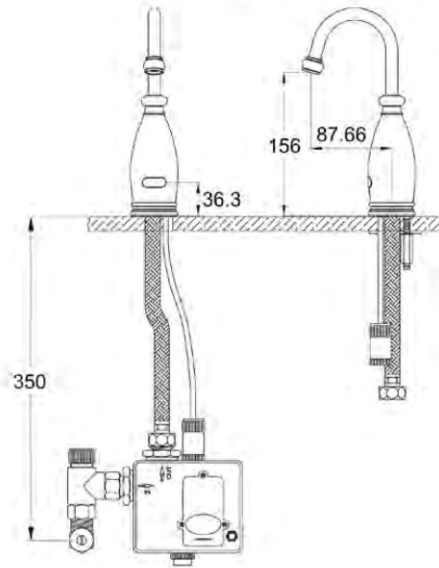
Optional ST160-124 mixing valve. Give your users warm water



Optional ST160-125 thermostatic mixing valve. Give your users warm water without worrying about chilling, scalding, or pressure loss.

Automatic Faucet

ST160-106



Specifications:

- Body: Chrome Plated Solid Brass (Other finishes available)
- Power:
 - i> DC AA Alkaline Battery x 4
 - ii> AC Adapter
 - iii> Hydro-generator
- Operating Water Pressure: 0.2~15 kg/cm²
- Water Inlet Pipe Size: NPSM 1/2 or 1/4
- Ambient Working Temperature: 2~90°C
- Sensing Range: 2~17 cm (factory default 14cm)
- Response Time: 0.3 sec
- Close Water Delay Time: 1 sec

Automatic Faucet ST160-113



The ST160-113 is an Automatic Faucet that is deck mounted and most suitable for freestanding basins or conventional basins.

The ST160-113 is most suitable for: hotel lavatory, restaurant lavatory, airport lavatory, government building lavatory, store lavatory

Automatic Faucet

Features:



Battery life expectancy:

Guaranteed: 500,000 cycles. (Tested over 1,000,000 cycles)



Low battery LED indicator



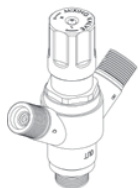
Optional AC/DC adaptor. You'll no longer have to worry about replacing the batteries.



Optional Hydro-Generator. No wiring or power outlet required. Automatically charges the batteries every time water is opened.

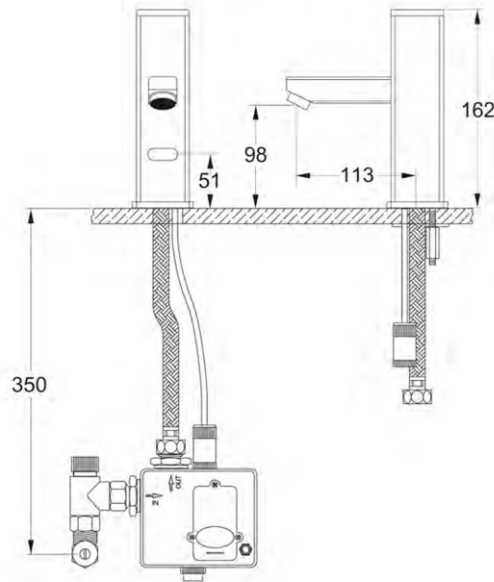


Optional ST160-124 mixing valve. Give your users warm water



Optional ST160-125 thermostatic mixing valve. Give your users warm water without worrying about chilling, scalding, or pressure loss.

Automatic Faucet ST160-113



Specifications:

- Body: Chrome Plated Solid Brass (Other finishes available)
- Power:
 - i> DC AA Alkaline Battery x 4
 - ii> AC Adapter
 - iii> Hydro-generator
- Operating Water Pressure: 0.2~15 kg/cm²
- Water Inlet Pipe Size: NPSM 1/2 or 1/4
- Ambient Working Temperature: 2~90°C
- Sensing Range: 2~17 cm (factory default 14cm)
- Response Time: 0.3 sec
- Close Water Delay Time: 1 sec

Automatic Faucet ST160-112A



The ST160-112 is an Automatic Faucet that is deck mounted and most suitable for freestanding basins.

The ST160-112 is most suitable for: hotel lavatory, restaurant lavatory, airport lavatory, government building lavatory, store lavatory

Automatic Faucet

Features:



Battery life expectancy:

Guaranteed: 500,000 cycles. (Tested over 1,000,000 cycles)



Low battery LED indicator



Optional tall body ST160-112A



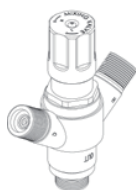
Optional AC/DC adaptor. You'll no longer have to worry about replacing the batteries.



Optional Hydro-Generator. No wiring or power outlet required.
Automatically charges the batteries every time water is opened.



Optional ST160-124 mixing valve. Give your users warm water

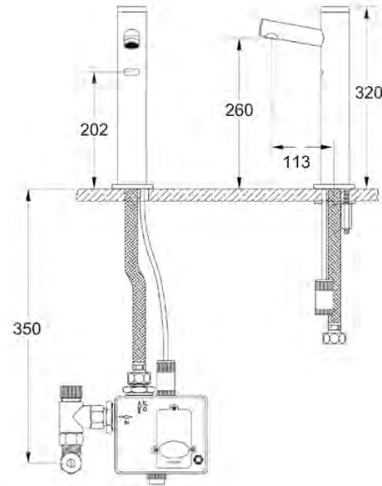
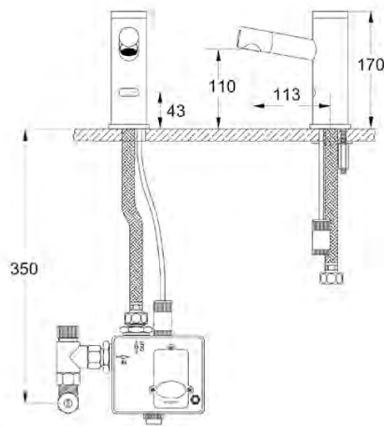


Optional ST160-125 thermostatic mixing valve. Give your users warm water without worrying about chilling, scalding, or pressure loss.

Automatic Faucet

ST160-112

ST160-112A



Specifications:

- Body: Chrome Plated Solid Brass (Other finishes available)
- Power:
 - i> DC AA Alkaline Battery x 4
 - ii> AC Adapter
 - iii> Hydro-generator
- Operating Water Pressure: 0.2~15 kg/cm²
- Water Inlet Pipe Size: NPSM 1/2 or 1/4
- Ambient Working Temperature: 2~90°C
- Sensing Range: 2~17 cm (factory default 14cm)
- Response Time: 0.3 sec
- Close Water Delay Time: 1 sec

Automatic Faucet ST160-111A



The ST160-111 is an Automatic Faucet that is deck mounted and most suitable for freestanding basins.

The ST160-111 is most suitable for: hotel lavatory, restaurant lavatory, airport lavatory, government building lavatory, store lavatory

Automatic Faucet

Features:



Battery life expectancy:

Guaranteed: 500,000 cycles. (Tested over 1,000,000 cycles)



Low battery LED indicator



Optional tall body ST160-111A



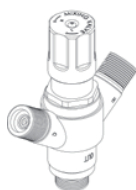
Optional AC/DC adaptor. You'll no longer have to worry about replacing the batteries.



Optional Hydro-Generator. No wiring or power outlet required.
Automatically charges the batteries every time water is opened.



Optional ST160-124 mixing valve. Give your users warm water

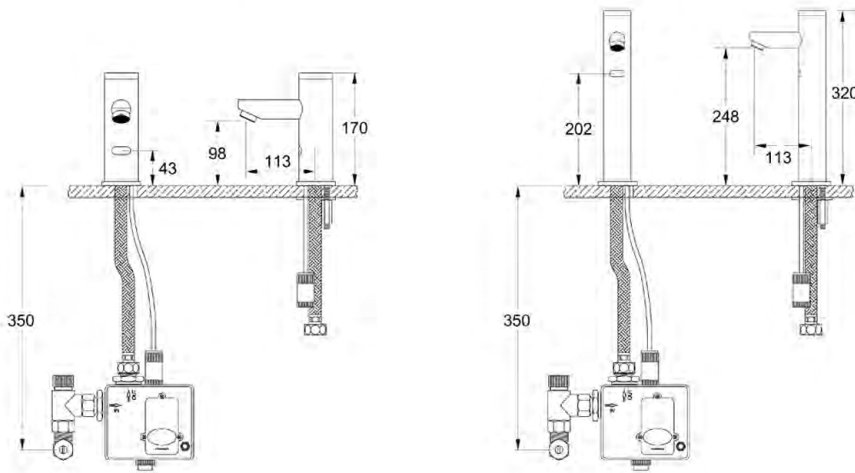


Optional ST160-125 thermostatic mixing valve. Give your users warm water without worrying about chilling, scalding, or pressure loss.

Automatic Faucet

ST160-111

ST160-111A



Specifications:

- Body: Chrome Plated Solid Brass (Other finishes available)
- Power:
 - i> DC AA Alkaline Battery x 4
 - ii> AC Adapter
 - iii> Hydro-generator
- Operating Water Pressure: 0.2~15 kg/cm²
- Water Inlet Pipe Size: NPSM 1/2 or 1/4
- Ambient Working Temperature: 2~90°C
- Sensing Range: 2~17 cm (factory default 14cm)
- Response Time: 0.3 sec
- Close Water Delay Time: 1 sec

Automatic Faucet ST160-110A



The ST160-110 is an Automatic Faucet that is deck mounted and most suitable for freestanding basins.

The ST160-110 is most suitable for: hotel lavatory, restaurant lavatory, airport lavatory, government building lavatory, store lavatory

Automatic Faucet

Features:



Battery life expectancy:

Guaranteed: 500,000 cycles. (Tested over 1,000,000 cycles)



Low battery LED indicator



Optional tall body ST160-110A



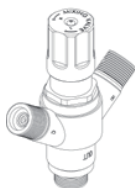
Optional AC/DC adaptor. You'll no longer have to worry about replacing the batteries.



Optional Hydro-Generator. No wiring or power outlet required.
Automatically charges the batteries every time water is opened.



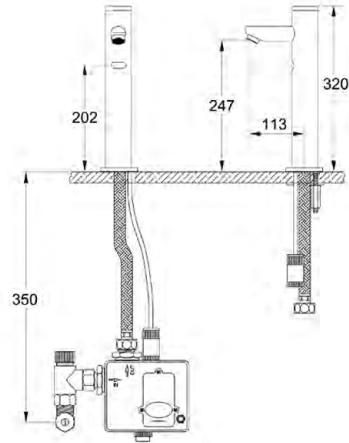
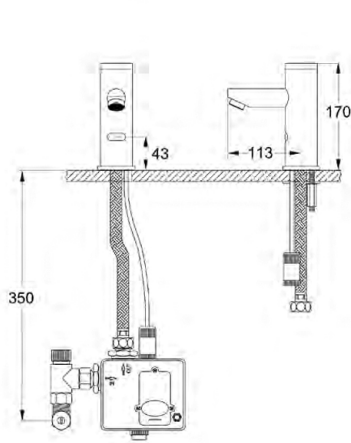
Optional ST160-124 mixing valve. Give your users warm water



Optional ST160-125 thermostatic mixing valve. Give your users warm water without worrying about chilling, scalding, or pressure loss.

Automatic Faucet

ST160-110 ST160-110A



Specifications:

- Body: Chrome Plated Solid Brass (Other finishes available)
- Power:
 - i> DC AA Alkaline Battery x 4
 - ii> AC Adapter
 - iii> Hydro-generator
- Operating Water Pressure: 0.2~15 kg/cm²
- Water Inlet Pipe Size: NPSM 1/2 or 1/4
- Ambient Working Temperature: 2~90°C
- Sensing Range: 2~17 cm (factory default 14cm)
- Response Time: 0.3 sec
- Close Water Delay Time: 1 sec

Automatic Faucet ST160-105



The ST160-105 is an Automatic Faucet that is wall mounted and most suitable for places where users need more vertical clearance.
The ST160-105 is most suitable for: kitchens, bathroom lavatory

Automatic Faucet

Features:



Battery life expectancy:

Guaranteed: 500,000 cycles. (Tested over 1,000,000 cycles)



Low battery LED indicator



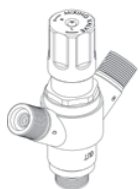
Optional AC/DC adaptor. You'll no longer have to worry about replacing the batteries.



Optional Hydro-Generator. No wiring or power outlet required. Automatically charges the batteries every time water is opened.



Optional ST160-124 mixing valve. Give your users warm water

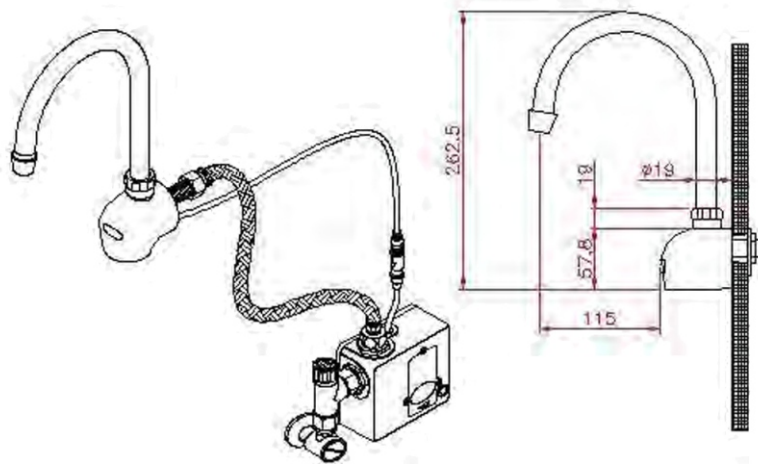


Optional ST160-125 thermostatic mixing valve. Give your users warm water without worrying about chilling, scalding, or pressure loss.



Variety of different spouts available.

Automatic Faucet ST160-105



Specifications:

- Body: Chrome Plated Solid Brass (Other finishes available)
- Power:
 - i> DC AA Alkaline Battery x 4
 - ii> AC Adapter
 - iii> Hydro-generator
- Operating Water Pressure: 0.2~15 kg/cm²
- Water Inlet Pipe Size: NPSM 1/2 or 1/4
- Ambient Working Temperature: 2~90°C
- Sensing Range: 2~17 cm (factory default 14cm)
- Response Time: 0.3 sec
- Close Water Delay Time: 1 sec

Automatic Faucet ST160-104



The ST160-104 is an Automatic Faucet that is deck mounted and most suitable for places where users need more vertical clearance.

The ST160-104 is most suitable for: hospital lavatory, restaurant lavatory, bar, airport lavatory, government building lavatory.

Automatic Faucet

Features:



Battery life expectancy:

Guaranteed: 500,000 cycles. (Tested over 1,000,000 cycles)



Low battery LED indicator



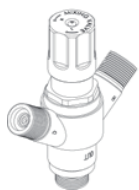
Optional AC/DC adaptor. You'll no longer have to worry about replacing the batteries.



Optional Hydro-Generator. No wiring or power outlet required. Automatically charges the batteries every time water is opened.



Optional ST160-124 mixing valve. Give your users warm water



Optional ST160-125 thermostatic mixing valve. Give your users warm water without worrying about chilling, scalding, or pressure loss.

Variety of different spouts available.



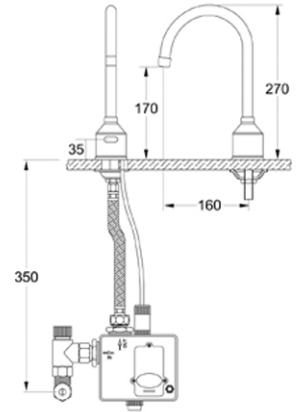
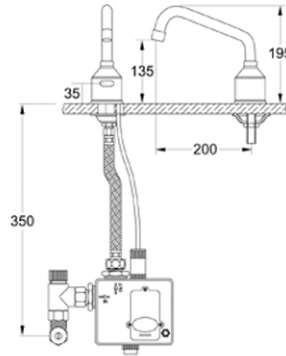
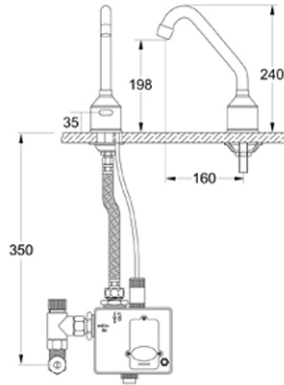
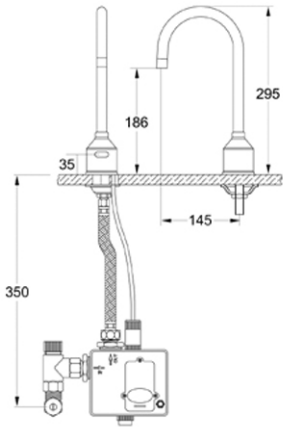
Automatic Faucet

ST160-104

ST160-107

ST160-108

ST160-109



Specifications:

- Body: Chrome Plated Solid Brass (Other finishes available)
- Power:
 - i> DC AA Alkaline Battery x 4
 - ii> AC Adapter
 - iii> Hydro-generator
- Operating Water Pressure: 0.2~15 kg/cm²
- Water Inlet Pipe Size: NPSM 1/2 or 1/4
- Ambient Working Temperature: 2~90°C
- Sensing Range: 2~17 cm (factory default 14cm)
- Response Time: 0.3 sec
- Close Water Delay Time: 1 sec

Automatic Faucet ST160-103



The ST160-103 is an Automatic Faucet that is deck mounted and most suitable for places where users need to go in and out as quickly as possible.

The ST160-103 is most suitable for: hotel lavatory, restaurant lavatory, park lavatory, airport lavatory, government building lavatory, store lavatory

Automatic Faucet

Features:



Battery life expectancy:

Guaranteed: 500,000 cycles. (Tested over 1,000,000 cycles)



Low battery LED indicator



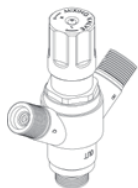
Optional AC/DC adaptor. You'll no longer have to worry about replacing the batteries.



Optional Hydro-Generator. No wiring or power outlet required. Automatically charges the batteries every time water is opened.



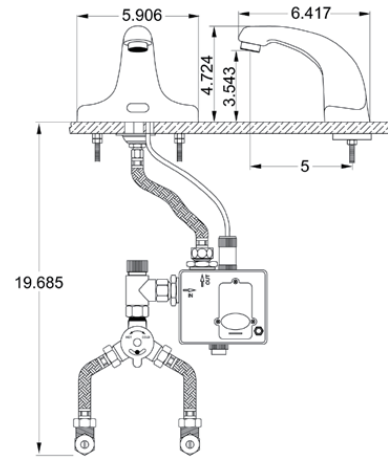
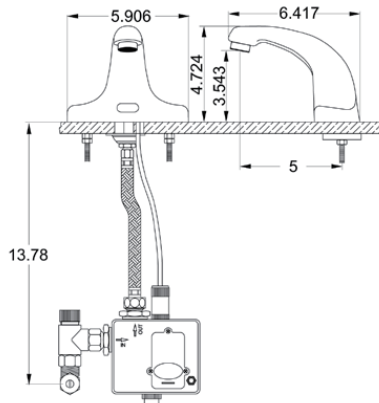
Optional ST160-124 mixing valve. Give your users warm water



Optional ST160-125 thermostatic mixing valve. Give your users warm water without worrying about chilling, scalding, or pressure loss.

Automatic Faucet

ST160-103



Specifications:

- Body: Chrome Plated Solid Brass (Other finishes available)
- Power: i> DC AA Alkaline Battery x 4
 - ii> AC Adapter
 - iii> Hydro-generator
- Operating Water Pressure: 0.2~15 kg/cm²
- Water Inlet Pipe Size: NPSM 1/2 or 1/4
- Ambient Working Temperature: 2~90°C
- Sensing Range: 2~17 cm (factory default 14cm)
- Response Time: 0.3 sec
- Close Water Delay Time: 1 sec

Automatic Faucet ST160-102A



The ST160-102A is an Automatic Faucet that is deck mounted and most suitable for places where users need to go in and out as quickly as possible. The ST160-102A is most suitable for: hotel lavatory, hospital lavatory, restaurant lavatory, park lavatory, airport lavatory, government building lavatory, store lavatory

Automatic Faucet

Features:



Battery life expectancy:

Guaranteed: 500,000 cycles. (Tested over 1,000,000 cycles)



Low battery LED indicator



Optional base plate, ST160-102A



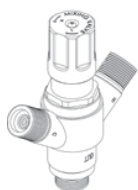
Optional AC/DC adaptor. You'll no longer have to worry about replacing the batteries.



Optional Hydro-Generator. No wiring or power outlet required.
Automatically charges the batteries every time water is opened.



Optional ST160-124 mixing valve. Give your users warm water

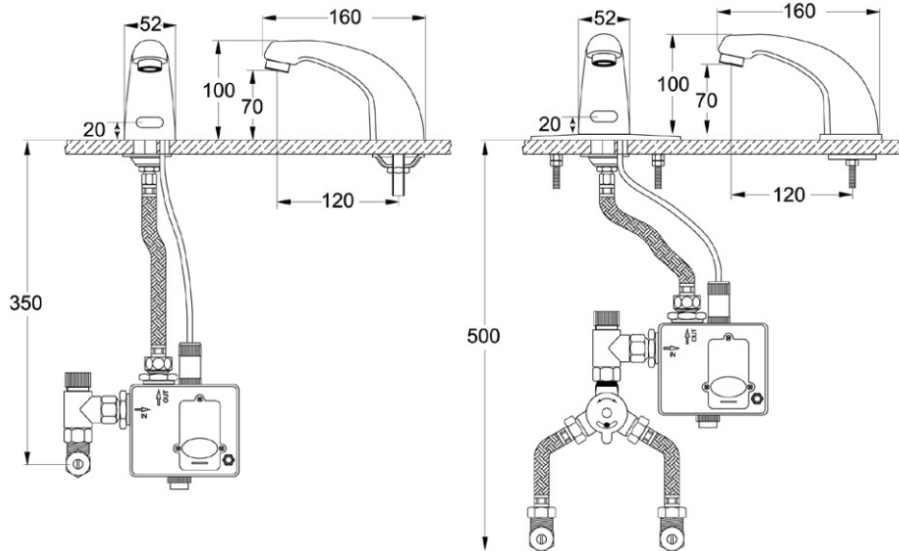


Optional ST160-125 thermostatic mixing valve. Give your users warm water without worrying about chilling, scalding, or pressure loss.

Automatic Faucet

ST160-102

ST160-102A



Specifications:

- Body: Chrome Plated Solid Brass (Other finishes available)
- Power:
 - i> DC AA Alkaline Battery x 4
 - ii> AC Adapter
 - iii> Hydro-generator
- Operating Water Pressure: 0.2~15 kg/cm²
- Water Inlet Pipe Size: NPSM 1/2 or 1/4
- Ambient Working Temperature: 2~90°C
- Sensing Range: 2~17 cm (factory default 14cm)
- Response Time: 0.3 sec
- Close Water Delay Time: 1 sec

Automatic Faucet ST160-101A



The ST160-101 is an Automatic Faucet that is deck mounted and most suitable for places where users need to go in and out as quickly as possible.

The ST160-101 is most suitable for: hotel lavatory, hospital lavatory, restaurant lavatory, park lavatory, airport lavatory, government building lavatory, store lavatory

Automatic Faucet

Features:



Battery life expectancy:

Guaranteed: 500,000 cycles. (Tested over 1,000,000 cycles)



Low battery LED indicator



Optional base plate, ST160-101A



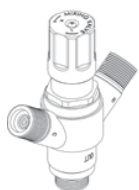
Optional AC/DC adaptor. You'll no longer have to worry about replacing the batteries.



Optional Hydro-Generator. No wiring or power outlet required.
Automatically charges the batteries every time water is opened.



Optional ST160-124 mixing valve. Give your users warm water

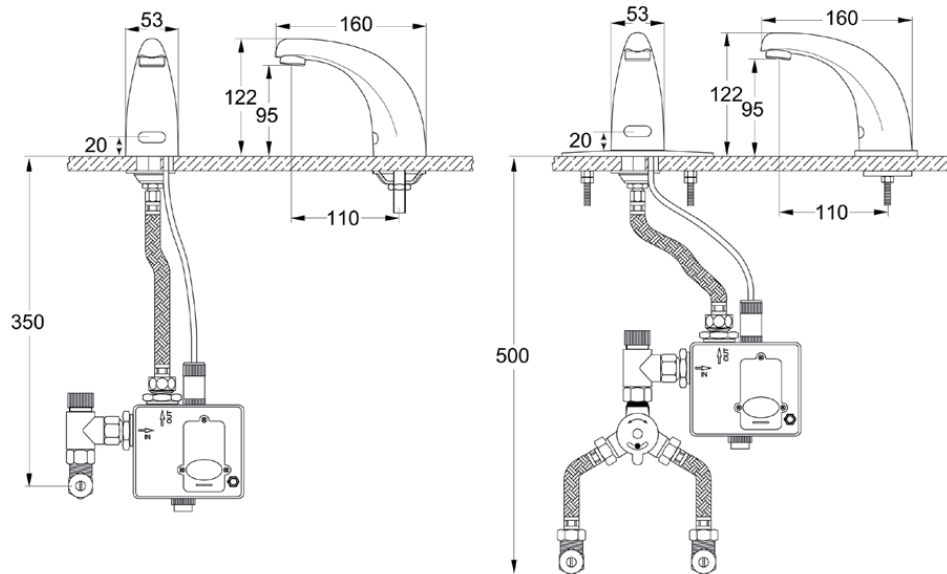


Optional ST160-125 thermostatic mixing valve. Give your users warm water without worrying about chilling, scalding, or pressure loss.

Automatic Faucet

ST160-101

ST160-101A



Specifications :

- Body: Chrome Plated Solid Brass (Other finishes available)
- Power: i> DC AA Alkaline Battery x 4
 - ii> AC Adapter
 - iii> Hydro-generator
- Operating Water Pressure: 0.2~15 kg/cm²
- Water Inlet Pipe Size: NPSM 1/2 or 1/4
- Ambient Working Temperature: 2~90°C
- Sensing Range: 2~17 cm (factory default 14cm)
- Response Time: 0.3 sec
- Close Water Delay Time: 1 sec

Automatic Mixer Faucet ST160-115A



The ST160-115 is an Automatic Mixer Faucet that is deck mounted and most suitable for places where the user would prefer to adjust the water temperature to their liking.

The ST160-115 is most suitable for: hotel lavatory, hospital lavatory, restaurant lavatory.

Automatic Mixer Faucet

Features:



Battery life expectancy:

Guaranteed: 500,000 cycles. (Tested over 1,000,000 cycles)



Low battery LED indicator



Hot and cold mixing.



Optional base plate, ST160-115A



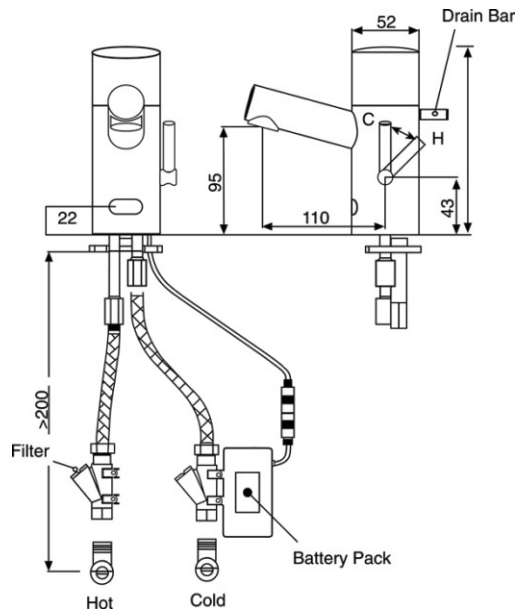
Optional AC/DC adaptor. You'll no longer have to worry about replacing the batteries.



Optional Hydro-Generator. No wiring or power outlet required.
Automatically charges the batteries every time water is opened.

Automatic Mixer Faucet

ST160-115A



Specifications:

- Body: Chrome Plated Solid Brass (Other finishes available)
- Power:
 - i> DC AA Alkaline Battery x 4
 - ii> AC Adapter
 - iii> Hydro-generator
- Operating Water Pressure: 0.2~15 kg/cm²
- Water Inlet Pipe Size: NPSM 1/2 or 1/4
- Ambient Working Temperature: 2~90°C
- Sensing Range: 2~17 cm (factory default 14cm)
- Response Time: 0.3 sec
- Close Water Delay Time: 1 sec

Automatic Faucet ST160-100



The ST160-100 is an Automatic Faucet that is deck mounted and most suitable for places where a bit of romance is in the air.

The ST160-100 is most suitable for: hotel lavatory, motel lavatory, massage parlor restaurant lavatory.

Automatic Faucet

Features:



Battery life expectancy:

Guaranteed: 500,000 cycles. (Tested over 1,000,000 cycles)



Low battery LED indicator



Different choices of color available.



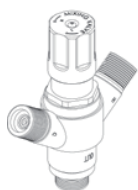
Optional AC/DC adaptor. You'll no longer have to worry about replacing the batteries.



Optional Hydro-Generator. No wiring or power outlet required.
Automatically charges the batteries every time water is opened.

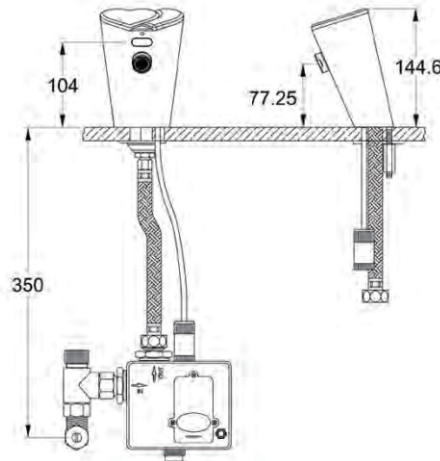


Optional ST160-124 mixing valve. Give your users warm water



Optional ST160-125 thermostatic mixing valve. Give your users warm water without worrying about chilling, scalding, or pressure loss.

Automatic Faucet ST160-100



Specifications:

- Body: Chrome Plated Solid Brass (Other finishes available)
- Power:
 - i> DC AA Alkaline Battery x 4
 - ii> AC Adapter
 - iii> Hydro-generator
- Operating Water Pressure: 0.2~15 kg/cm²
- Water Inlet Pipe Size: NPSM 1/2 or 1/4
- Ambient Working Temperature: 2~90°C
- Sensing Range: 2~17 cm (factory default 14cm)
- Response Time: 0.3 sec
- Close Water Delay Time: 1 sec

Manual/Automatic Faucets



Manual/Automatic Faucets

From Automatic to Automatic/Manual

Most automatic faucets were designed for commercial purposes and therefore were relatively expensive and difficult to install or maintain.

Chang Yi Shin's owner, James Wang, wanted to take automatic faucets to a different type of consumer, your home.



Unfortunately, most people had the same doubt, how reliable is a sensor faucet? No matter how reliable we boast an automatic faucet can be, it will eventually fail, and when it does, it can prove to be much more troublesome to replace or maintain than a broken conventional faucet.

Manual/Automatic Faucets

From Automatic to Automatic/Manual

The automatic/manual faucet can be operated either manually or through the sensor. Not only did it allow the user to still be able to use the faucet in manual mode if the sensor system failed, it also compensated for one of the greatest disadvantages of automatic faucets, dispensing larger amounts of water.



In many scenarios, you may need larger amounts of water or a steady stream of water, and automatic faucets can't do that unless the user stays near the faucet and actually keeps his/her hand in front of the sensor. Chang Yi Shin's automatic/manual faucet has taken care of this issue by creating the automatic/manual faucet that has the advantages of both and none of their disadvantages.

Manual/Automatic Faucets

How to Operate

1. Locate the red button at the back of the faucet. When the button is located at the back of the faucet, the faucet is in "automatic mode"



2. To switch the faucet to manual mode, please press and hold the red button and turn the knob counter-clockwise 180°. To switch the faucet back to automatic mode, simply press and hold the red button, and turn the knob back clockwise.



3. To open water, turn the knob counter-clockwise further more. Turn the knob back to close the water.



Automatic/Manual Faucet ST160-122A



The ST160-122 is an Automatic /Manual Faucet that is deck mounted and most suitable for places where the user would need quick response and easy maintenance.

The ST160-122 is most suitable for: public lavatory.

Automatic/Manual Faucet

Features:



Battery life expectancy:

Guaranteed: 500,000 cycles. (Tested over 1,000,000 cycles)



Low battery LED indicator



Optional AC/DC adaptor. You'll no longer have to worry about replacing the batteries.



Automatically charges the batteries every time water is opened.



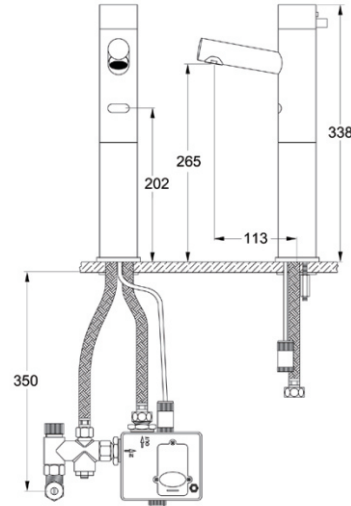
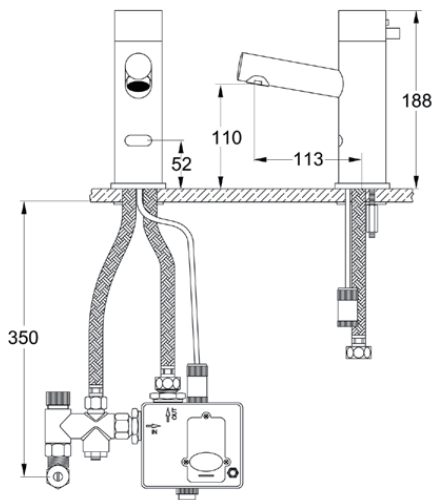
Automatic/Manual faucet. The faucet can be switched to manual mode. Using individual piping, if the automatic system were to fail, you can still use the faucet as it is being maintained or repaired.



Optional tall body: ST160-122A.

Automatic/Manual Faucet

ST160-122 ST160-122A



Specifications:

- Body: Chrome Plated Solid Brass (Other finishes available)
- Power:
 - i> DC AA Alkaline Battery x 4
 - ii> AC Adapter
 - iii> Hydro-generator
- Operating Water Pressure: 0.2~15 kg/cm²
- Water Inlet Pipe Size: NPSM 1/2 or 1/4
- Ambient Working Temperature: 2~90°C
- Sensing Range: 2~17 cm (factory default 14cm)
- Response Time: 0.3 sec
- Close Water Delay Time: 1 sec

Automatic/Manual Faucet ST160-120A



The ST160-120 is an Automatic /Manual Faucet that is deck mounted and most suitable for places where the user would need quick response and easy maintenance.

The ST160-120 is most suitable for: public lavatory.

Automatic/Manual Faucet

Features:



Battery life expectancy:

Guaranteed: 500,000 cycles. (Tested over 1,000,000 cycles)



Low battery LED indicator



Optional AC/DC adaptor. You'll no longer have to worry about replacing the batteries.



Automatically charges the batteries every time water is opened.



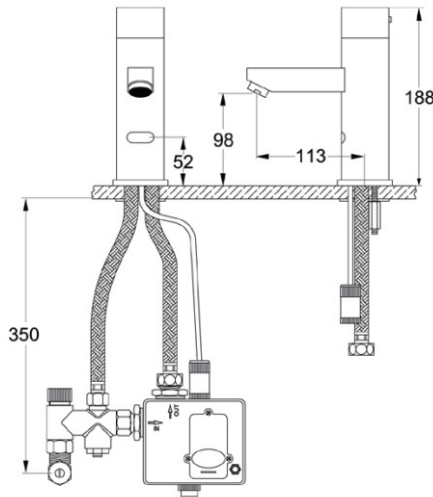
Automatic/Manual faucet. The faucet can be switched to manual mode. Using individual piping, if the automatic system were to fail, you can still use the faucet as it is being maintained or repaired.



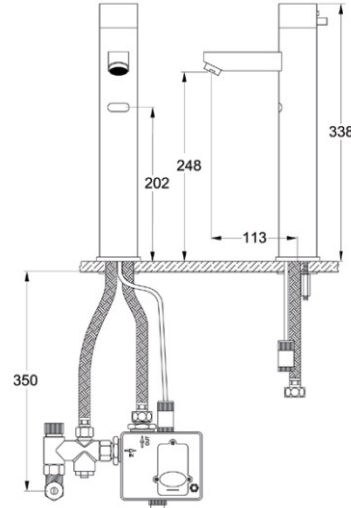
Optional tall body: ST160-120A.

Automatic/Manual Faucet

ST160-120



ST160-120A



Specifications:

- Body: Chrome Plated Solid Brass (Other finishes available)
- Power:
 - i> DC AA Alkaline Battery x 4
 - ii> AC Adapter
 - iii> Hydro-generator
- Operating Water Pressure: 0.2~15 kg/cm²
- Water Inlet Pipe Size: NPSM 1/2 or 1/4
- Ambient Working Temperature: 2~90°C
- Sensing Range: 2~17 cm (factory default 14cm)
- Response Time: 0.3 sec
- Close Water Delay Time: 1 sec

Automatic/Manual Faucet ST160-119A



The ST160-119 is an Automatic /Manual Faucet that is deck mounted and most suitable for places where the user would need quick response and easy maintenance.

The ST160-119 is most suitable for: public lavatory.

Automatic/Manual Faucet

Features:



Battery life expectancy:

Guaranteed: 500,000 cycles. (Tested over 1,000,000 cycles)



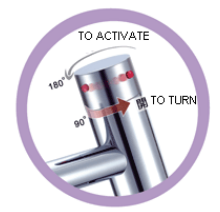
Low battery LED indicator



Optional AC/DC adaptor. You'll no longer have to worry about replacing the batteries.



Automatically charges the batteries every time water is opened.



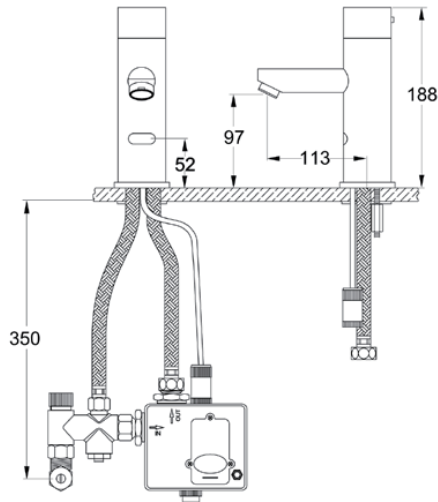
Automatic/Manual faucet. The faucet can be switched to manual mode. Using individual piping, if the automatic system were to fail, you can still use the faucet as it is being maintained or repaired.



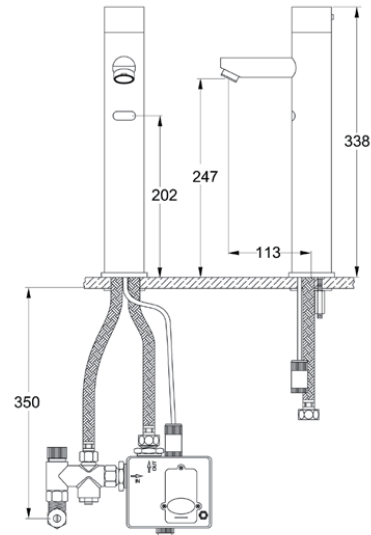
Optional tall body: ST160-119A.

Automatic/Manual Faucet

ST160-119



ST160-119A



Specifications:

- Body: Chrome Plated Solid Brass (Other finishes available)
- Power:
 - i> DC AA Alkaline Battery x 4
 - ii> AC Adapter
 - iii> Hydro-generator
- Operating Water Pressure: 0.2~15 kg/cm²
- Water Inlet Pipe Size: NPSM 1/2 or 1/4
- Ambient Working Temperature: 2~90°C
- Sensing Range: 2~17 cm (factory default 14cm)
- Response Time: 0.3 sec
- Close Water Delay Time: 1 sec

Automatic/Manual Faucet ST160-121



The ST160-121 is an Automatic /Manual Faucet that is deck mounted and most suitable for places where the user would need quick response and easy maintenance.

The ST160-121 is most suitable for: public lavatory.

Automatic/Manual Faucet

Features:



Battery life expectancy:

Guaranteed: 500,000 cycles. (Tested over 1,000,000 cycles)



Low battery LED indicator



Optional AC/DC adaptor. You'll no longer have to worry about replacing the batteries.



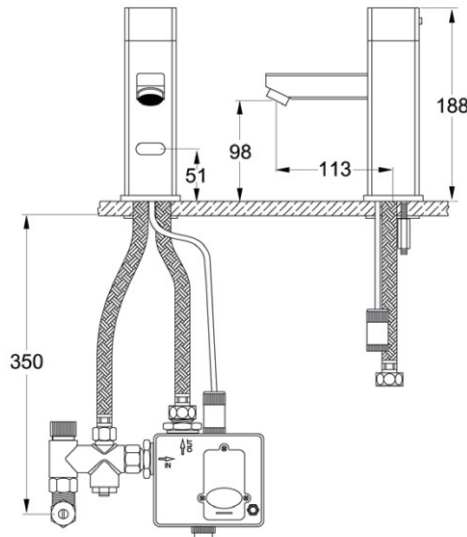
Optional Hydro-Generator. No wiring or power outlet required.

Automatically charges the batteries every time water is opened.



Automatic/Manual faucet. The faucet can be switched to manual mode. Using individual piping, if the automatic system were to fail, you can still use the faucet as it is being maintained or repaired.

Automatic/Manual Faucet ST160-121



Specifications:

- Body: Chrome Plated Solid Brass (Other finishes available)
- Power: i> DC AA Alkaline Battery x 4
 - ii> AC Adapter
 - iii> Hydro-generator
- Operating Water Pressure: 0.2~15 kg/cm²
- Water Inlet Pipe Size: NPSM 1/2 or 1/4
- Ambient Working Temperature: 2~90°C
- Sensing Range: 2~17 cm (factory default 14cm)
- Response Time: 0.3 sec
- Close Water Delay Time: 1 sec

Automatic/Manual Faucet ST160-118



The ST160-118 is an Automatic /Manual Faucet that is deck mounted and most suitable for places where the user would need more vertical clearance. The ST160-118 is most suitable for: restaurant kitchen, commercial kitchen, home kitchen.

Automatic/Manual Faucet

Features:



Battery life expectancy:

Guaranteed: 500,000 cycles. (Tested over 1,000,000 cycles)



Low battery LED indicator

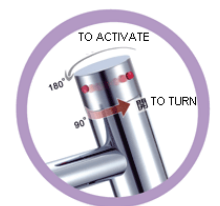


Optional AC/DC adaptor. You'll no longer have to worry about replacing the batteries.



Optional Hydro-Generator. No wiring or power outlet required.

Automatically charges the batteries every time water is opened.

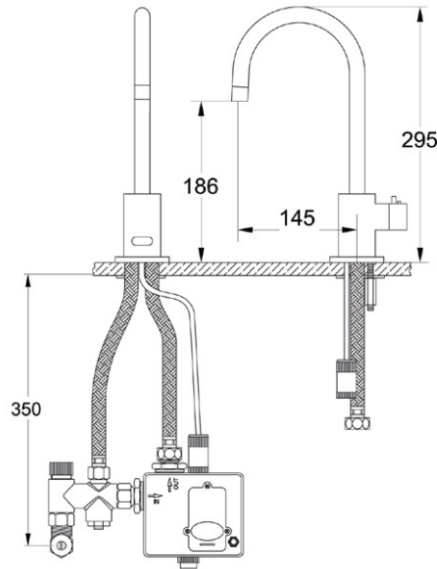


Automatic/Manual faucet. The faucet can be switched to manual mode. Using individual piping, if the automatic system were to fail, you can still use the faucet as it is being maintained or repaired.



Optional swipe on, swipe off sensor. Swipe once to open, swipe again to close. System will automatically close the water after 1 minute. (optional 3 minutes)

Automatic/Manual Faucet ST160-118



Specifications:

- Body: Chrome Plated Solid Brass (Other finishes available)
- Power: i> DC AA Alkaline Battery x 4
 - ii> AC Adapter
 - iii> Hydro-generator
- Operating Water Pressure: 0.2~15 kg/cm²
- Water Inlet Pipe Size: NPSM 1/2 or 1/4
- Ambient Working Temperature: 2~90°C
- Sensing Range: 2~17 cm (factory default 14cm)
- Response Time: 0.3 sec
- Close Water Delay Time: 1 sec

Automatic/Manual Faucet ST160-114



The ST160-114 is an Automatic /Manual Faucet that is deck mounted and most suitable for places where the user would prefer to adjust the water temperature to their liking.

The ST160-114 is most suitable for: hotel lavatory, hospital lavatory, restaurant lavatory.

Automatic/Manual Faucet

Features:



Battery life expectancy:

Guaranteed: 500,000 cycles. (Tested over 1,000,000 cycles)



Low battery LED indicator



Hot and cold mixing.



Optional AC/DC adaptor. You'll no longer have to worry about replacing the batteries.



Automatically charges the batteries every time water is opened.



Automatic/Manual faucet. The faucet can be switched to manual mode. Using individual piping, if the automatic system were to fail, you can still use the faucet as it is being maintained or repaired.

Automatic/Manual Faucet

Features:



Battery life expectancy:

Guaranteed: 500,000 cycles. (Tested over 1,000,000 cycles)



Low battery LED indicator



Hot and cold mixing.



Optional AC/DC adaptor. You'll no longer have to worry about replacing the batteries.



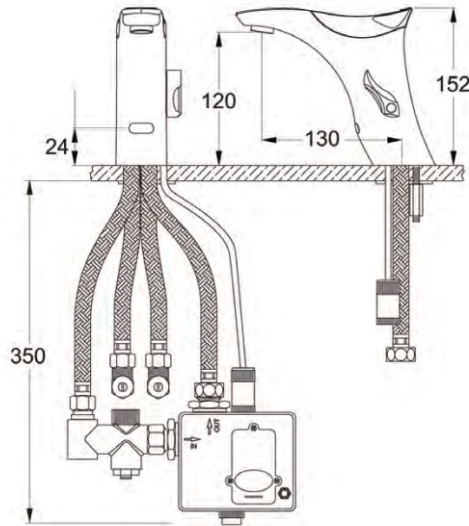
Optional Hydro-Generator. No wiring or power outlet required.

Automatically charges the batteries every time water is opened.



Automatic/Manual faucet. The faucet can be switched to manual mode. Using individual piping, if the automatic system were to fail, you can still use the faucet as it is being maintained or repaired.

Automatic/Manual Faucet ST160-114



Specifications:

- Body: Chrome Plated Solid Brass (Other finishes available)
- Power:
 - i> DC AA Alkaline Battery x 4
 - ii> AC Adapter
 - iii> Hydro-generator
- Operating Water Pressure: 0.2~15 kg/cm²
- Water Inlet Pipe Size: NPSM 1/2 or 1/4
- Ambient Working Temperature: 2~90°C
- Sensing Range: 2~17 cm (factory default 14cm)
- Response Time: 0.3 sec
- Close Water Delay Time: 1 sec

Faucet Accessories



ST160-124
Mixing Valve



ST160-126
Automatic Faucet
Control Box



ST160-127
Automatic Faucet
Sensor Cable



ST160-128
Automatic Faucet
Foot Pedal



ST160-129
Hydro-Generator



ST160-125
Thermostatic Mixer

Faucet Accessories

ST160-124



Now You Can Get Warm Water From Any Single Inlet Faucet

Only suitable for stable water pressure and stable water temperature.
If water pressure or water temperature is erratic,
We would recommend a thermostatic mixing valve.

Faucet Accessories ST160-125



Thermostatic Mixing Valve

No more loss of water pressure

No more sudden freezing or burning water

Faucet Accessories

ST160-125

Not everyone has the luxury of stable water pressure or constant water temperature. And even if you did, if someone were to use water in another place within the premises, a nice hot shower could turn into an unpleasant burning hot shower.

By installing the ST160-125 thermostatic mixing valve, you'll never have to fear such unpleasant surprises.

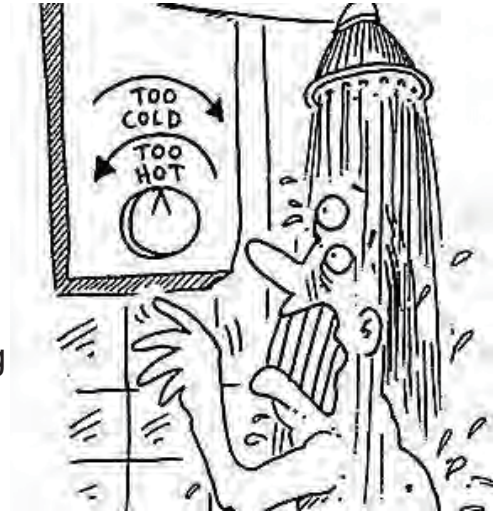
Thermostatic valves regulate the pressure of the cold and hot water inlets to maintain a constant cold/hot water pressure ratio. So whether there is a pressure drop (or surge) of either inlets, the water temperature will always remain the same.

Features:

- Compliant with ASSE 1016 standards
- Compliant with ASSE 1070 standards (Temperature is adjustable, but not at will.)
- cUPC, AB1953, and NSF61 certified
- Neoperl pressure balancing valves
- Vernet sensor bar

Specs:

- Minimum flow rate: 0.9 GPM
- Pressure loss at minimum flow rate: 0.5psi
- Hot Water Inlet Temperature Range: 120~1800F (48.8~82.20C)
- Cold Water Inlet Temperature Range: 39~840F (3.9~28.80C)
- Outlet Temperature Range: 80~1200F (26.7~48.80C)
- Outlet Temperature Factory Settings: 100.40F (380C)
- Inlet/Outlet Spec: 1/2' NPS threaded male



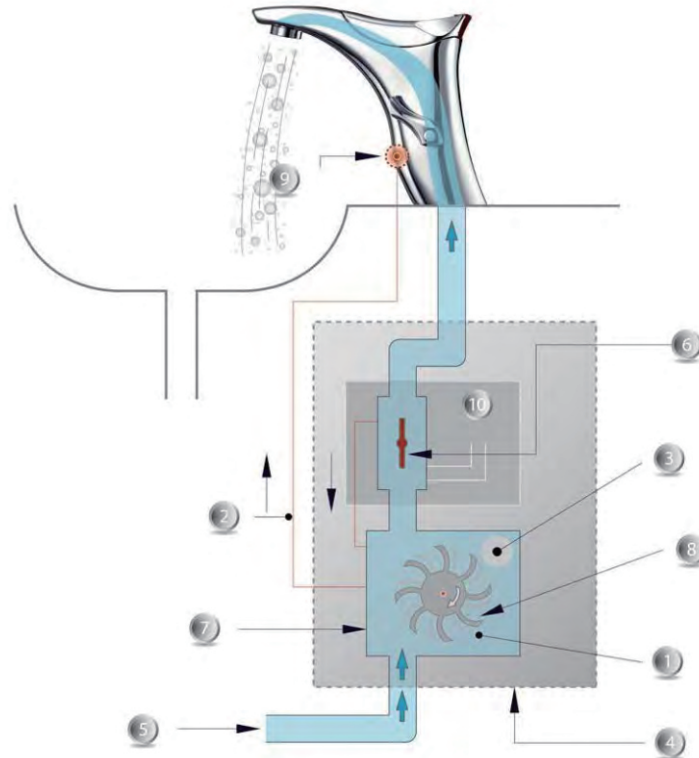
Faucet Accessories ST160-129



Highest Quality
Highest Efficiency
Conserving water isn't enough
The ST160-129 ensures that every drop counts

Faucet Accessories

ST160-129



1. The Hydro-Generator is based on the principles of a hydroelectric power plant. Every time the faucet is opened, the water flow is not only used to send water to your tap, it drives the rotor blades of a generator to generate electricity that is saved in a lithium-ion battery and used to power the electrical components of the automatic faucet.
2. Power generated is sent to the sensor.
3. Power is stored in a lithium-ion battery. Lithium-ion batteries are well known to not have memory effects, be environmentally safe, hold their charges much longer, and last much longer than other conventional batteries. Therefore, it'll probably be more than five years before you need to replace the battery.
4. Main body.
5. Water Inlet
6. Solenoid Valve
7. Hydro-Generator
8. Generator Blades
9. Faucet Sensor
10. Automatic Faucet Control Box

Faucet Accessories

ST160-129

Specifications:

Min. Operating Flow Rate: 4L/Min
 Working Pressure: 2~20KGF
 Pressure Drop: 0.5 bar (at 4L/Min)
 Max. Current Output: 1.4A
 Voltage Output: 6.0VDC
 Power Output: 210 mW (at 4L/Min)
 700mAh
 Battery Capacity: 700 mAh
 Max. Operating Flow Rate: 20L/Min (2KGF)
 Water Resistance: IP4
 Max. Voltage Output: 8.2 V
 Wire Length: 250mm
 DC
 Jack Type: JWT
 Ambient working temp.: 4~80 0C (Max. 110 0
 Battery Type: Lithium polymer battery with fuse
 C for 30 mins)

Flow Rate/ Power Output Table

Flow Rate (LPM)	Voltage (VDC)	Current (mA)	Power (mW)
3	4.08	40	163
4	4.6	46	212
5	5.07	50	254
12	5.64	56	316

Faucet Accessories

ST160-130

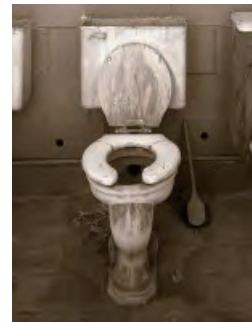


Magic Flush

Making the Dirtiest Touch-less

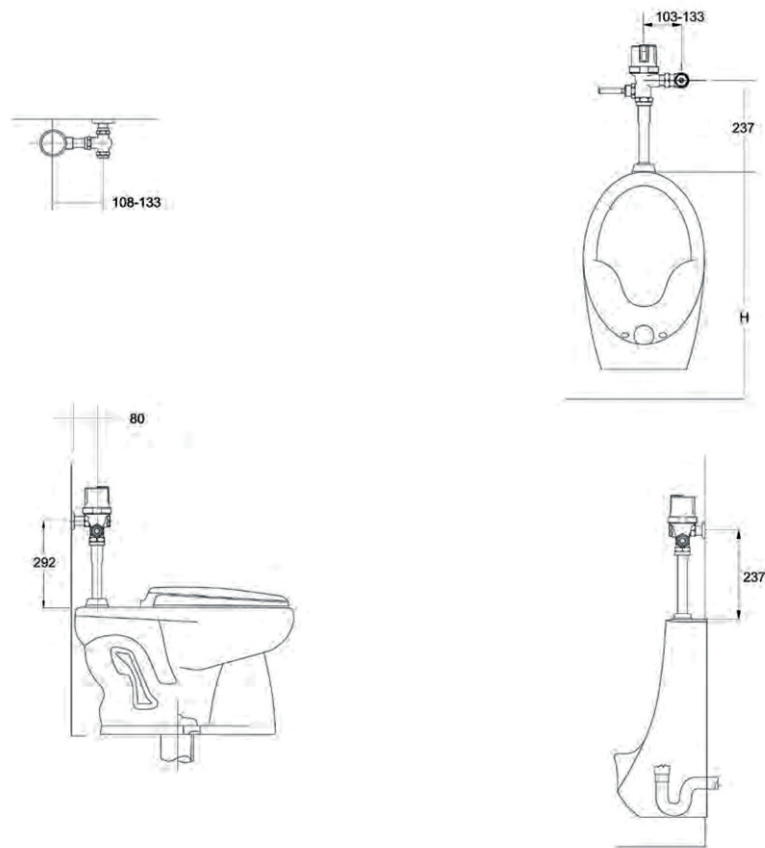
Product Description:

- The ST160-130 Automatic Flusher cap flushes the toilet every time after use. No need to touch that dirty handle anymore.
- The ST160-130 is ADDED on to your manual flusher. NOT REPLACING it. No need to spend a lot of money to replace your original flusher. Simply replace the cap and relief valve.
- The ST160-130 is compatible with most Sloan and Zurn manual flushers.
- Can be installed for urinals and toilet bowls.



Faucet Accessories

ST160-130



Product Description:

- Use of a Solenoid is eliminated. Flushing is actuated using magnetic force. No electrical components are in contact with water making the ST160-130 more reliable and less prone to failure due to leakage.



Faucet Accessories

ST160-130

- Batteries are easily replaced. No water shut-off required.
- Manual mode is still available just in case batteries run out.



Features:

- LED battery warning indicator.
- Battery life expectancy: 3 years or more

Guaranteed: 500,000 cycles.

- Option of 1.28gpf, 1.6gpf, or 3.5gpf.
- Adjustable Sensor Angle
- User-friendly. No sudden flush during use. 3 second flush delay.
- Flushes once every 24 hours from last flush.

Specs:

- Operating Water Pressure: 0.5-8.0 Kgf/cm²
- Operates on 4 AA Alkaline batteries (DC6V/500mA)
- Working Water Temperature: 0°C~ 65°C (Non-Frozen Water)



**KARMA means INTENTION
then ACTION.
Everytime you do a good KARMA,
it comes back to you.**

