

Induction Cooker

IC-270B-BT



IC-350B-BT



IDC-WB3100



IC-800A



Model	IC-270B-BT	IC-350B-BT	IDC-WB3100	IC-800A
Description	Induction Cooker	Induction Cooker	Induction Cooker	Induction Cooker
Control Type	Button Control	Button Control	Button Control	Knob Control
Volts	220~240V/50Hz	220~240V/50Hz	220~240V/50Hz	380~400V/50Hz
Power(W)	500-2700	500-3500	500-3100	500-8000
Temperature Range	60-240°C	60-240°C	60-240°C	-
Timer	0-180min	0-180min	0-180min	-
Overheating Protection	V	V	V	V
Safety Lock	-	-	-	-
Material	Stainless Steel	Stainless Steel	Stainless Steel	Stainless Steel
Dimensions (mm)	300x370x100	340x445x115	352x407x115	540x500x180
N.W. (kg)	8	13.2	13.2	18.35
Certificate	CE	CE	CE	CE

Induction Cooker



CE500-126



CE500-127

Model	CE500-126	CE500-127
Description	Induction Cooker	Induction Wok
Control Type	Button Control	Touch Control
Volts	220~240V/50Hz	220~240V/50Hz
Power(W)	500-3500	500-3500
Temperature Range	60-240°C	60-240°C
Timer	0-180min	0-180min
Overheating Protection	√	√
Safety Lock	-	-
Material	Stainless Steel	Stainless Steel
Dimensions (mm)	425x330x105	425x340x135
N.W. (kg)	10.3	12
Certificate	CE	CE

Induction Cooker

IC-35E



IC-35D



IC-350KC



IC-350KC1



Model	IC-35E	IC-35D	IC-350KC	IC-350KC1
Description	Induction Cooker	Induction Wok	Induction Cooker	Induction Wok
Control Type	Touch Control	Touch Control	Button Control	Button Control
Volts	220~240V/50Hz	220~240V/50Hz	220~240V/50Hz	220~240V/50Hz
Power(W)	500-3500	500-3500	500-3500	500-3500
Temperature Range	60-240°C	60-240°C	60-240°C	60-240°C
Timer	0-180min	0-180min	0-180min	0-180min
Overheating Protection	✓	✓	✓	✓
Safety Lock	✓	✓	-	-
Material	Stainless Steel	Stainless Steel	Stainless Steel	Stainless Steel
Dimensions (mm)	338x395x120	340x440x117	340x440x117	340x440x117
N.W. (kg)	13.8	15.4	14.6	15.4
Certificate	CE	CE	CE	CE

Induction Cooker



IT27H2



IT 28



EIT2

Model	IT27H2	IT 28	EIT2
Description	Induction Cooker	Induction Cooker	Induction Cooker
Control Type	Touch Control	Touch Control	Touch Control
Volts	220~240V/50Hz	220~240V/50Hz	220~240V/50Hz
Power(W)	500-2700	500-2700	500-2000
Temperature Range	60-240°C	60-240°C	60-240°C
Timer	0-180min	0-180min	0-180min
Overheating Protection	V	V	V
Safety Lock	V	V	-
Material	Stainless Steel	Stainless Steel	Stainless Steel
Dimensions (mm)	320x368x106	337x425x75	310x380x53
N.W. (kg)	8	19.2	14
Certificate	CE	CE	CE

Induction Cooker



IC-350A3



IC-350K1



IC-350K

Model	IC-350A3	IC-350K1	IC-350K
Description	Induction Cooker	Induction Cooker	Induction Cooker
Control Type	Knob Control	Knob Control	Button Control
Volts	220~240V/50Hz	220~240V/50Hz	220~240V/50Hz
Power(W)	500-3500	500-3500	500-3500
Temperature Range	-	-	60-240°C
Timer	-	-	0-180min
Overheating Protection	√	√	√
Safety Lock	-	-	-
Material	Stainless Steel	Stainless Steel	Stainless Steel
Dimensions (mm)	340x445x117	327x420x98	340x440x117
N.W. (kg)	14.6	10.5	11.54
Certificate	CE	CE	CE

Induction Cooker



IC-200T



IT18

Model	IC-200T	IT18
Description	Induction Cooker	Induction Cooker
Control Type	Touch Control	Touch Control
Volts	220~240V/50Hz	220~240V/50Hz
Power(W)	500-2000	500-1800
Temperature Range	60-240°C	60-240°C
Timer	0-180min	0-180min
Overheating Protection	√	√
Safety Lock	√	√
Material	Plastic	Plastic
Dimensions (mm)	302x372x77	295x357x72
N.W. (kg)	12.8	10.4
Certificate	CE	CE

Induction Cooker

CE500-146



CE500-147



CE500-148



CE500-149



Model	CE500-146	CE500-147	CE500-148	CE500-149
Control Type	Touch Control	Touch Control	Touch Control	Touch Control
Volts	220~240V/50Hz	220~240V/50Hz	220~240V/50Hz	220~240V/50Hz
Power(W)	500~3500	500~3500	500~3500	500~3500
Temperature Range	60~240°C	60~240°C	60~240°C	60~240°C
Timer	0~180Min	0~180Min	0~180Min	0~180Min
Overheating Protection	V	V	V	V
Safety Lock	-	-	-	-
Food Thermoprobe	V	V	-	-
Material	Stainless Steel	Stainless Steel	Stainless Steel	Stainless Steel
Dimensions(mm)	340x432x125	340x432x125	340x432x125	340x432x125
Certificate	CE	CE	CE	CE
Remark	Half Bridge Technology -Can heat at 350W Continuously, Display Showing 300W or 400W			

Induction Cooker



CE500-145



CE500-145B

Model	CE500-145	CE500-145B
Control Type	Touch Control	Touch Control
Volts	220~240V/50Hz	220~240V/50Hz
Power(W)	500~3500	500~3500
Temperature Range	60~240°C	60~240°C
Timer	0~180Min	0~180Min
Overheating Protection	√	√
Safety Lock	-	-
Material	Stainless Steel	Metal with Black Painting
Dimensions(mm)	339x430x117	339x430x117
Certificate	CE	CE

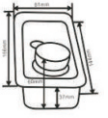
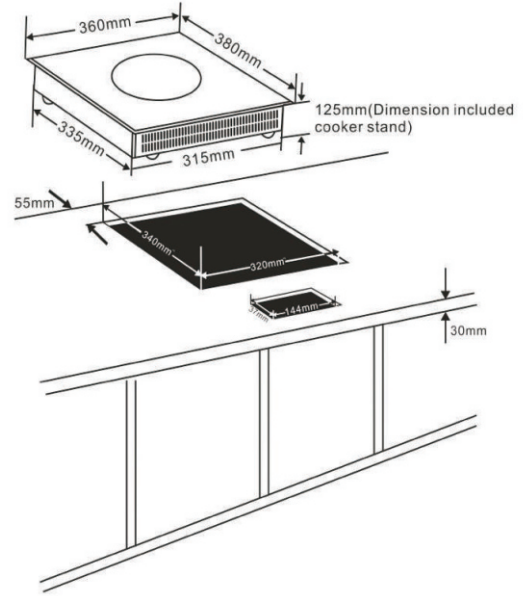
Induction Cooker



IC-350T



IC-350T



Model	IC-350T	IC-350TA
Description	Induction Cooker	Induction Cooker
Control Type	Touch And Knob Control	Touch And Knob Control
Volts	220~240V/50Hz	220~240V/50Hz
Power(W)	500-3500	500-3500
Temperature Range	60-240°C	60-240°C
Timer	0-180min	0-180min
Overheating Protection	√	√
Safety Lock	-	-
Material	Stainless Steel	Stainless Steel
Dimensions (mm)	360x380x125	360x380x125
N.W. (kg)	13.5	13.8
Certificate	CE	CE